



- Tighten the bearing retainer.

**CAUTION:**

The middle driven shaft bearing retainer has left-handed threads. To tighten the retainer turn it counterclockwise.



**Bearing retainer:**  
110 Nm (11.0 m • kg, 80 ft • lb)

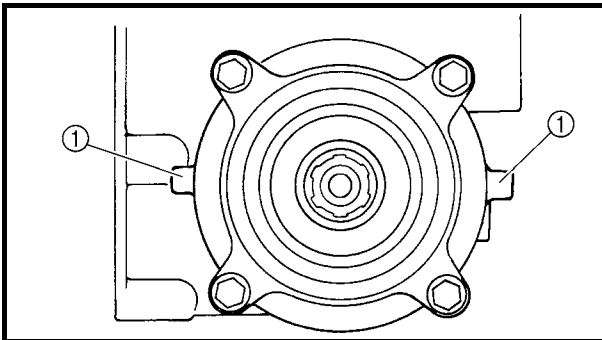
\*\*\*\*\*

3. Install:

- Shims ①
- Bearing housing

**NOTE:**

Install the shims so that the tabs are positioned as shown in the illustration.



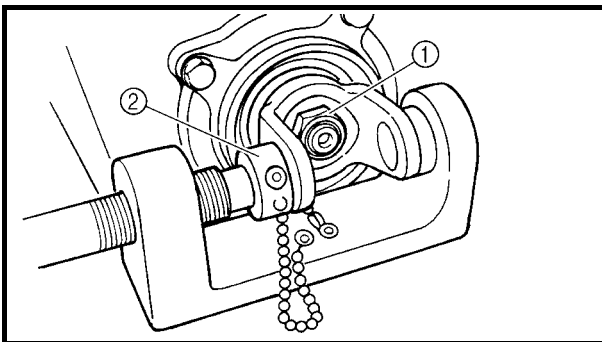
4. Install:

- Universal joint yoke (rear side)
- Washer
- Nut ①

97 Nm (9.7 m • kg, 70 ft • lb)

**NOTE:**

Use the universal joint holder ② to hold the yoke.



**Universal joint holder:**  
P/N. YM-04062, 90890-04062

5. Install:

- Universal joint

\*\*\*\*\*

**Installation steps:**

- Install the opposite yoke into the U-joint.
- Apply wheel bearing grease to the bearings.

