

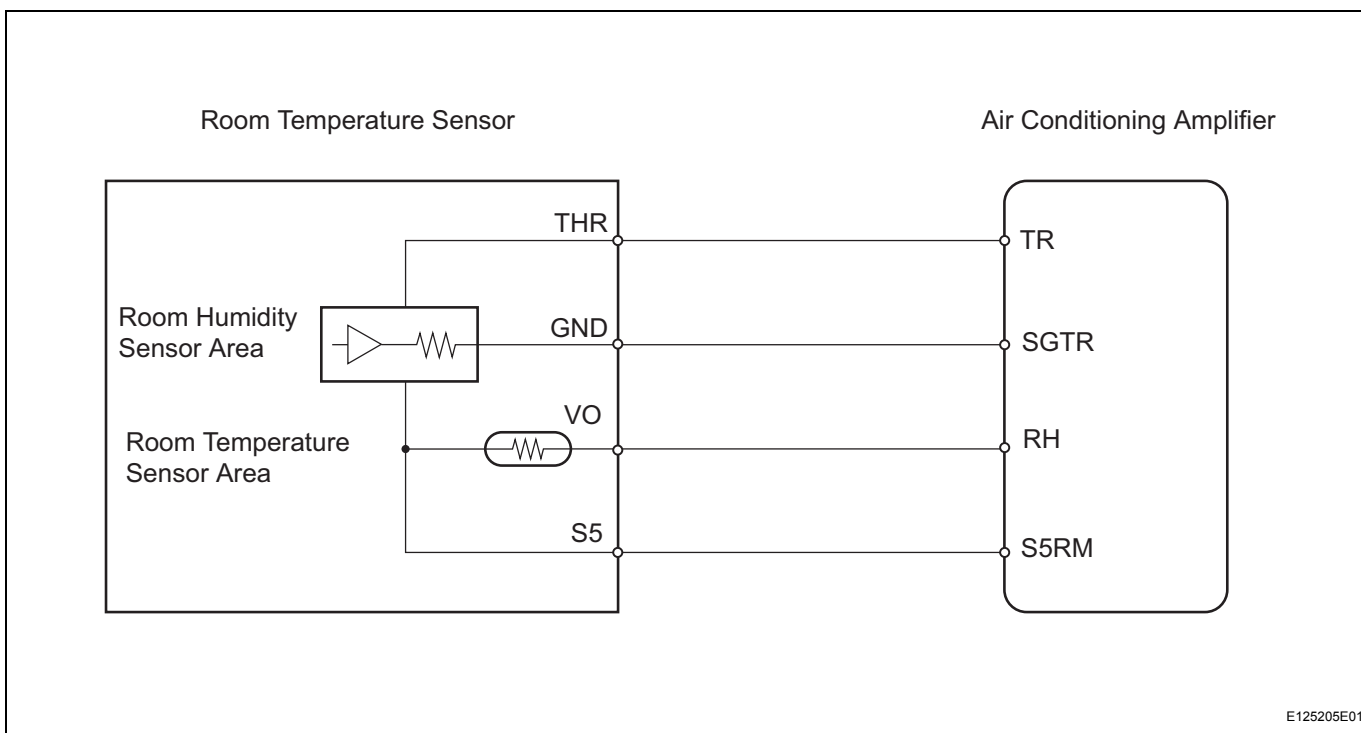
<b>DTC</b>	<b>B1462</b>	<b>Room Humidity Sensor Circuit</b>
------------	--------------	-------------------------------------

**DESCRIPTION**

The room humidity sensor detects room humidity. The voltage of the room humidity sensor changes in accordance with room humidity. The air conditioning amplifier reads changes in the room humidity sensor. The room humidity sensor is integrated with room temperature sensor.

DTC No.	Detection Condition	Trouble Area
B1462	Open or short in room humidity sensor circuit	<ul style="list-style-type: none"> <li>Room humidity sensor (room temperature sensor)</li> <li>Wire harness between room humidity sensor ( room temperature sensor) and air conditioning amplifier</li> <li>Air conditioning amplifier</li> </ul>

**WIRING DIAGRAM**



**INSPECTION PROCEDURE**

<b>1</b>	<b>READ VALUE OF INTELLIGENT TESTER (HUMIDITY SENS)</b>
----------	---

- (a) Connect the intelligent tester (with CAN VIM) to DLC3.
- (b) Turn the power switch ON (IG) and push the intelligent tester main switch ON.
- (c) Select the item below in the DATA LIST, and read the display on the intelligent tester.

**Air conditioning amplifier**

Item	Measurement Item / Display (Range)	Normal Condition	Diagnostic Note
HUMIDITY SENS	Humidity sensor / min.: 0% max.: 100%	Actual room humidity is displayed	-