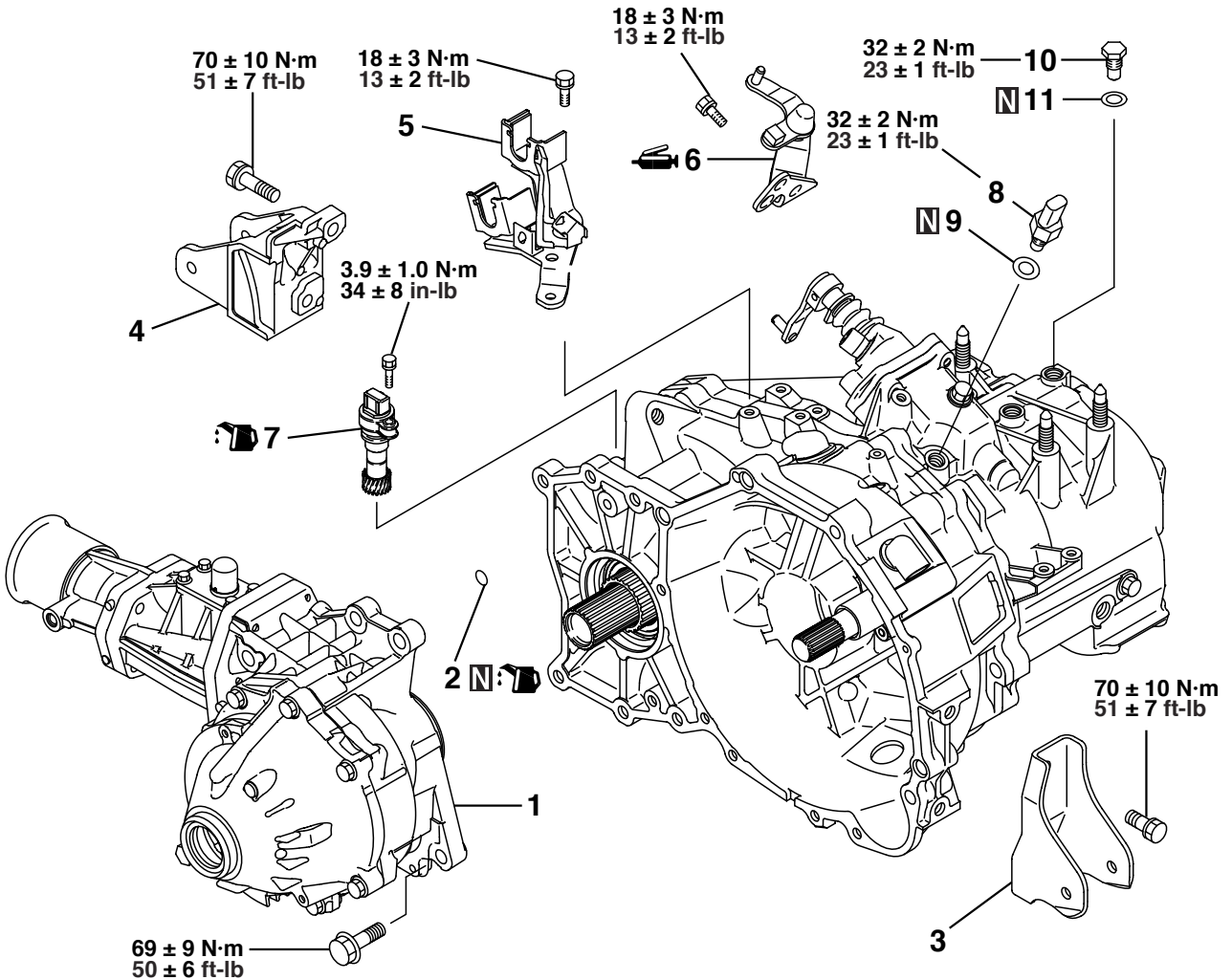


# TRANSAXLE

## DISASSEMBLY AND ASSEMBLY

M1222001000096



AK203132AC

### DISASSEMBLY STEPS

- >>J<<
1. TRANSFER ASSEMBLY
  2. O-RING
  3. ROLL STOPPER BRACKET, FRONT
  4. ROLL STOPPER BRACKET, REAR
  5. SHIFT CABLE BRACKET

### DISASSEMBLY STEPS

- >>I<<      6. SELECT LEVER  
>>H<<      7. SPEEDOMETER GEAR  
                 8. BACKUP LIGHT SWITCH  
                 9. GASKET  
                 10. POPPET  
                 11. GASKET

### Required Special Tools:

- MB990935: Installer Adapter
- MB990938: Handle