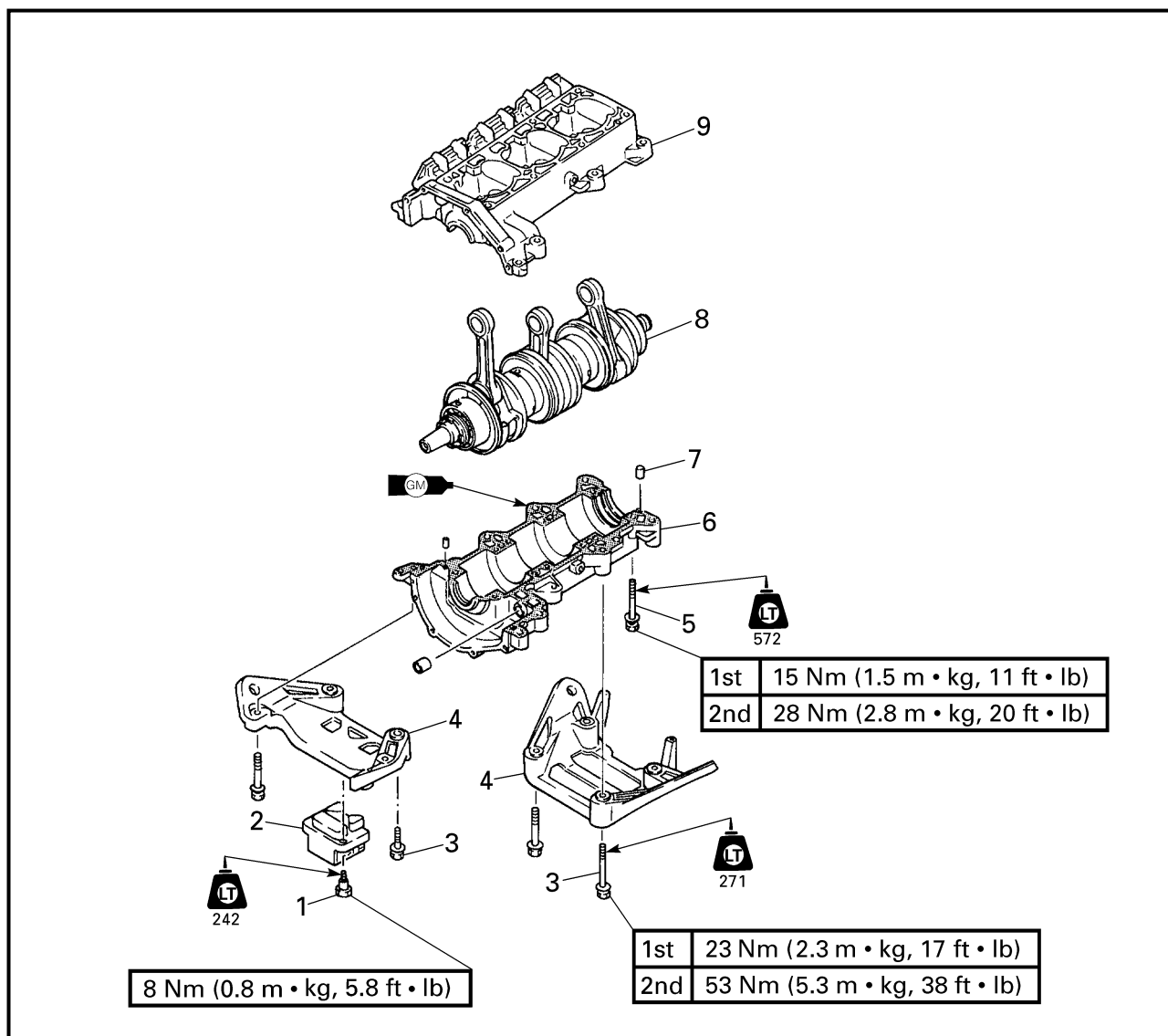




EXPLODED DIAGRAM



Step	Procedure/Part name	Q'ty	Service points
5	Bolt	12	NOTE: _____ Tighten the bolts in the proper sequence and in two stages.
6	Lower crankcase	1	
7	Dowel pin	2	
8	Crankshaft assembly	1	
9	Upper crankcase	1	
			Reverse the disassembly steps for assembly.