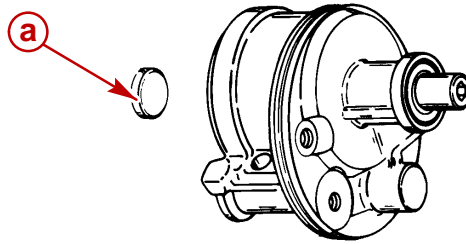


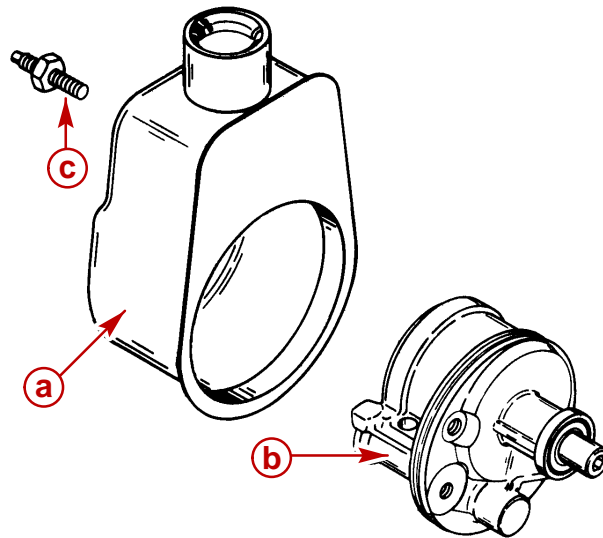
11. Place magnet on housing.



**a** - Magnet

22153

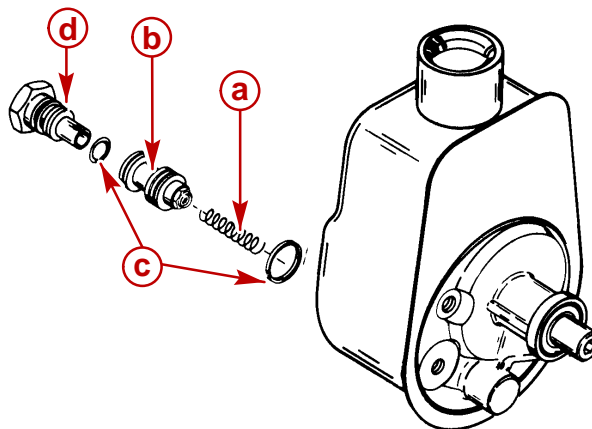
12. Secure reservoir to pump housing. Torque studs to 35 lb-ft (47 Nm).



**a** - Reservoir  
**b** - Pump Housing  
**c** - Studs

22153

13. Install components shown. Torque fitting assembly to 35 lb-ft (47 Nm).



**a** - Flow Control Spring  
**b** - Control Valve Assembly  
**c** - O-ring - for Fitting Assembly  
**d** - Fitting Assembly

22153